

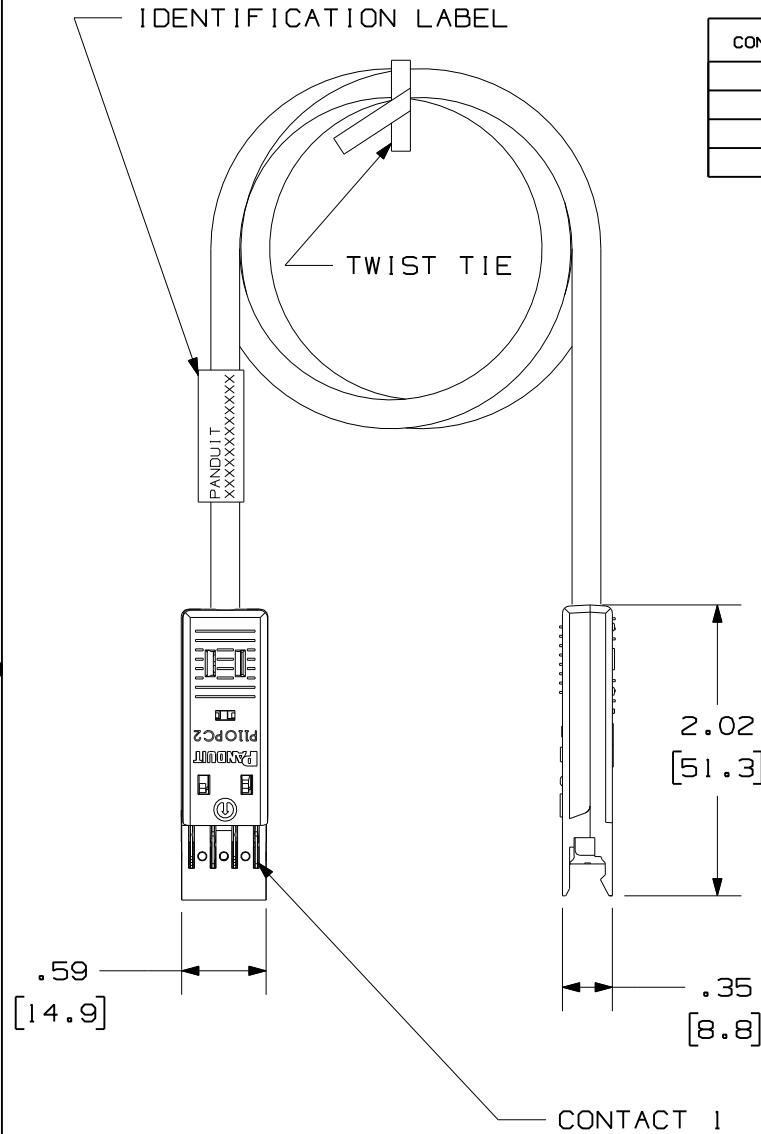
THIS COPY IS PROVIDED ON A RESTRICTED BASIS AND IS NOT TO BE USED IN ANY WAY DETRIMENTAL TO THE INTERESTS OF PANDUIT CORP.

NOTES:

1. SEE CURRENT CATALOG FOR VARIOUS APPLICATIONS AND TO INDICATE PACKAGE QUANTITY.
2. 110 CONNECTORS ON BOTH ENDS. THE PATCH CORDS CAN BE USED WITH PAN-PUNCH™ 110 CONNECTING BLOCKS.
3. FEATURES INCLUDE A CLEAR CAP TO ENSURE PROPER WIRE SEQUENCE AND CONNECTOR ORIENTATION. RETAINING CLIPS SECURE THE JACKET CLOSE TO THE POINT OF TERMINATION WHICH MINIMIZES WIRE UNTWISTING. INTEGRAL STRAIN RELIEF MINIMIZES STRESS ON WIRES DURING DISCONNECTION.
4. POLARIZED TO PREVENT REVERSE INSTALLATION TO CONNECTOR BLOCK.
5. CATEGORY 5 UNSHIELDED TWISTED PAIR CABLE WITH 24AWG STRANDED TINNED COPPER CONDUCTORS.
6. DIMENSIONS IN PARENTHESES ARE IN METRIC.

| CONTACT | CABLE WIRE COLOR |
|---------|------------------|
| 1 | WHITE/BLUE |
| 2 | BLUE |
| 3 | WHITE/ORANGE |
| 4 | ORANGE |

| PANDUIT P/N | MIN. CABLE LENGTH | WEIGHT |
|----------------|-------------------|-------------------------------------|
| P110PC21G2Y | 2 FT. | .45 LB/10 PCS (210.8 g/10 PCS) |
| P110PC21G3Y | 3 FT. | .57 LB/10 PCS (266.7 g/10 PCS) |
| P110PC21G4Y | 4 FT. | .70 LB/10 PCS (322.6 g/10 PCS) |
| P110PC21G5Y | 5 FT. | .82 LB/10 PCS (378.5 g/10 PCS) |
| P110PC21G6Y | 6 FT. | .94 LB/10 PCS (434.4 g/10 PCS) |
| P110PC21G7Y | 7 FT. | 1.06 LB/10 PCS (490.3 g/10 PCS) |
| P110PC21G8Y | 8 FT. | 1.18 LB/10 PCS (546.2 g/10 PCS) |
| P110PC21G9Y | 9 FT. | 1.30 LB/10 PCS (602.1 g/10 PCS) |
| P110PC21G12Y | 12 FT. | 1.66 LB/10 PCS (769.8 g/10 PCS) |
| P110PC21G15Y | 15 FT. | 2.02 LB/10 PCS (937.5 g/10 PCS) |
| P110PC21G18Y | 18 FT. | 2.38 LB/10 PCS (1093.5 g/10 PCS) |
| P110PC21G.5MY | .5M | .41 LB/10 PCS (190.7 g/10 PCS) |
| P110PC21G1MY | 1M | .81 LB/10 PCS (382.4 g/10 PCS) |
| P110PC21G1.5MY | 1.5M | .81 LB/10 PCS (374.1 g/10 PCS) |
| P110PC21G2MY | 2M | 1.00 LB/10 PCS (465.8 g/10 PCS) |
| P110PC21G3MY | 3M | 1.40 LB/10 PCS (649.2 g/10 PCS) |
| P110PC21G4MY | 4M | 1.79 LB/10 PCS (832.6 g/10 PCS) |
| P110PC21G5MY | 5M | 2.21 LB/10 PCS (1027.2g/10 PCS) |
| P110PC21G6MY | 6M | 2.58 LB/10 PCS (1199.4g/10 PCS) |



SIZE
A

DRAWING FILENAME: M02479JR_DC254_00A.PRT
 TITLE: CATEGORY 5 110 PATCHCORD CUSTOMER DRAWING

| | |
|--|---|
| <p>PANDUIT[®] CORP. TINLEY PARK, IL 60477</p> | I.I. NUMBER |
| | PRODUCT SPEC |
| <p>THIRD ANGLE PROJECTION</p> | <p>ALL DIMENSIONS ARE GIVEN IN INCHES, UNLESS OTHERWISE SPECIFIED.</p> <p>DIMENSIONAL TOLERANCES ARE: (.X) ±.03(.8) (.XXX) ±.010(.3) (.XX) ± ANGLES ±</p> |
| <p>WORK INSTRUCTION</p> <p>SCALE: NONE</p> | <p>PART NO. P110PC2****Y</p> |
| <p>DRAWN BY: NER</p> <p>DATE: 3-20-06</p> <p>CHK'D</p> | <p>REVIEW DRAWING NUMBERS</p> <p>DRAWING NO. 02479-254</p> |

| REV | DATE | BY | CHK | DESCRIPTION | ECN | R | CUST | SUP | OTH |
|-----|---------|-----|-----|-------------------------|-----------|---|------|-----|-----|
| R | 3-20-06 | NER | | RELEASED TO PRODUCTION. | 02479-254 | | | | |